



‘WILL IT FIT?’

Planning to invest in a treasurable piece of furniture? Follow our guide to ensure your new acquisition can take its rightful place in your home with ease.

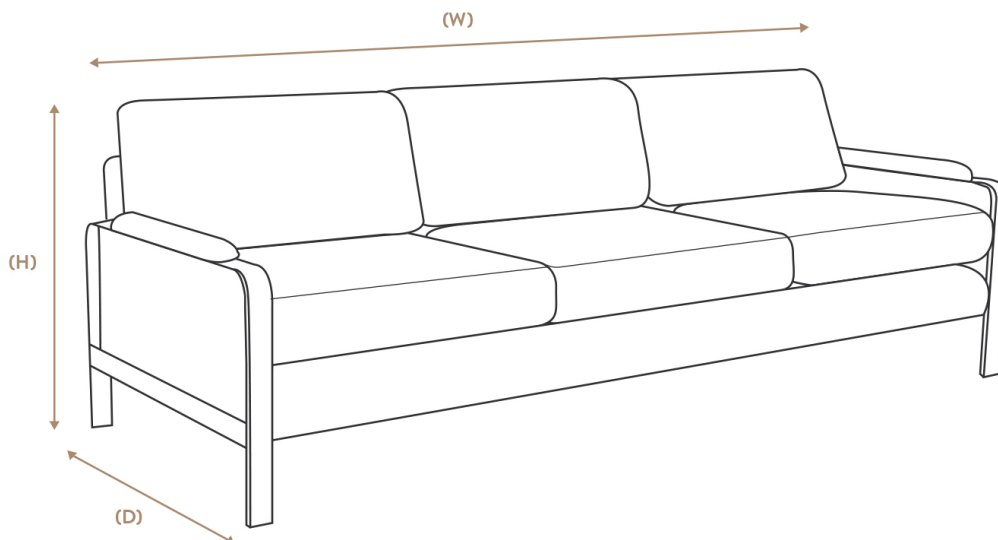
STEP 1: MEASURE THE ROOM

Before placing your order, be sure to map out the space where you would like the furniture to sit by laying masking tape or newspaper, corresponding to the design’s widest dimensions, onto the floor. You can find the dimensions of each House of Hackney piece under the ‘Product Details’ section of the individual product pages on our website.

TIP: It’s a smart move to leave a little wiggle room either side of your chair or sofa, so that it doesn’t have to be wedged into place. Ideally, you want enough of a gap to walk around the piece – or nestle a side table or lamp next to it if desired.

STEP 2: MEASURE YOUR HOME

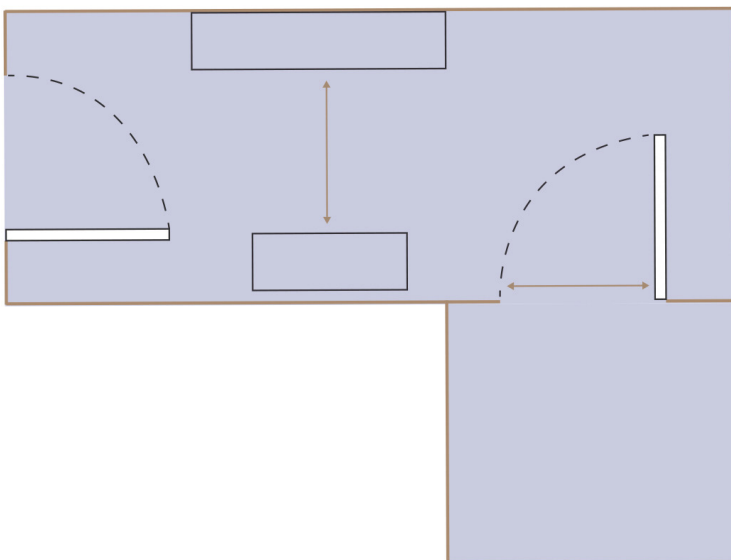
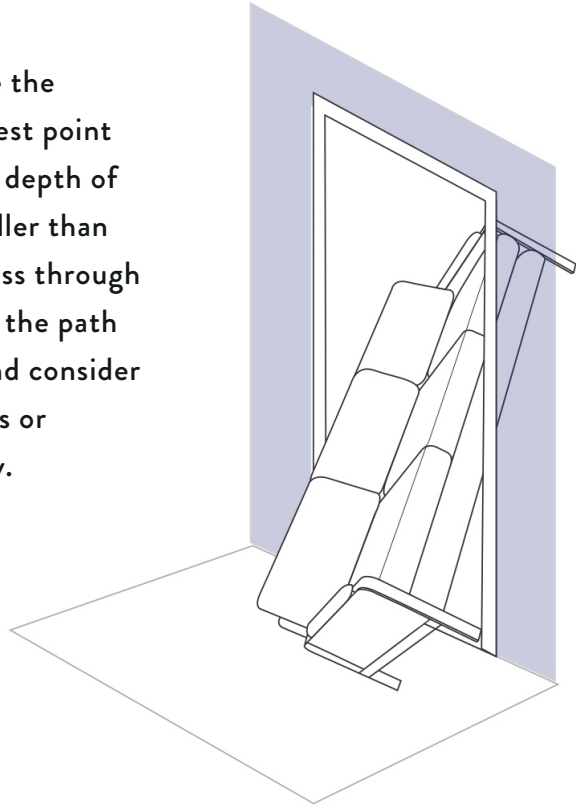
Next, taking into account the height (H), width (W) and depth (D) of your chosen furniture, you will need to measure your home to ensure the piece can comfortably reach the room in which it will live – so think about the doorways, hallways and stairwells it will need to pass through to get there.





DOORWAY:

With the door fully open, measure the height and width from the narrowest point of the frame. Both the height and depth of your furniture will need to be smaller than that of any doors it will need to pass through (including the front door). Ensure the path of entry is clear of obstructions and consider permanent fixtures, such as boilers or lighting, that may hamper delivery.



HALLWAY:

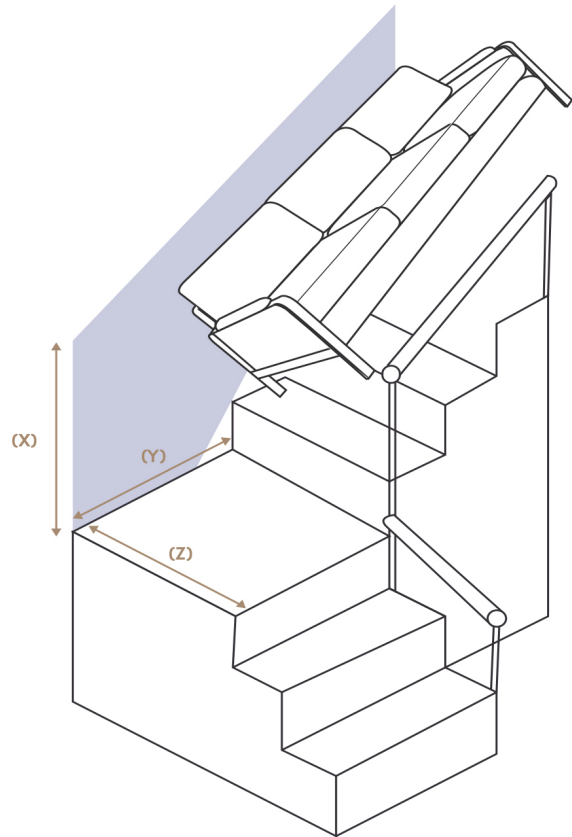
Measure the height, width and depth of any hallways at their narrowest points, checking that all are larger than that of the furniture. Remember that the different floors of your home may vary in ceiling height or floor space.



STAIRWELL:

Measure the width of your stairs at the narrowest point and check that it's wider than the height of your furniture. Don't forget to consider the handrails or any light fixtures while taking your measurements.

If there are any landings, measure their height (X), width (Y) and depth (Z), again ensuring that all are larger than the corresponding height, width and depth of your furniture, while taking the bannisters and light fixtures into consideration.



PLEASE NOTE

House of Hackney will not risk causing damage to your property by squeezing furniture through narrow gaps. Therefore, it is your responsibility to measure the space ahead of delivery and remove any obstacles that might stand in the way.

Need a helping hand with anything? That's what we're here for. Give us a call on +44 (0)20 7062 6121 or email customerservices@houseofhackney.com.